

# SMART CONNECTIONS FOR OPTIMUM RESULTS

<b>HDMI 2.0</b>	<b>DisplayPort 1.2</b>	<b>4K</b> (4096 x 2160)	UNCOMPRESSED	ZERO LATENCY	LONG DISTANCE TRANSMISSION
-----------------	------------------------	----------------------------	--------------	--------------	----------------------------

## HDMI / DISPLAYPORT TO HDMI (MPO-TYPE OUTPUT) WALL PLATE CONVERTER

Ophit's **WMC-DH** is an MPO/MTP-type wall plate video signal converter with an option to manually select the HDMI (2.0) or DisplayPort (1.2) input switch, transmitting high-speed data through HDMI (2.0) TMDS-compatible optical output signal, producing high resolution up to 4K (4096 x 2160) @60Hz without signal degradation.

The newly launched wallplate video signal converter connects to the OMP-HM-R (Receiver) via MPO-type optical cable for up to 100m (330ft) of uncompressed data transmission. Specifically designed to be mounted in a single gang enclosure, the WMC-DH provides zero latency and offers high-speed video signal transmission solutions for surgical boom systems in the OR suite.

### FEATURE HIGHLIGHTS

- Supports HDMI 2.0 and DisplayPort 1.2 standards
- Designed to mount in a single gang slot
- Transmits a converted optical signal using one MPO-type optical cable
- Supports firmware updates via a mini-B USB port
- Equipped with one push switch to reset the system

### OTHER APPLICATIONS

- Broadcast / Control Room / Large Auditorium / Live Stage / Medical Imaging / Military / Flight Simulation / Conference Room



### OMP-HM-R (Receiver)

8K HDMI 2.1 Optical Fiber Extender  
Pigtail-type with MPO connector

*\*OMP-HM-R Sold Separately\**

**Fiber Cable**

MPO/MTP, 8 (or 12)-core, OM3, 50/125µm multi-mode fiber (polarity type A)

**Input Date Rate**

Up to 18 Gbps (HDMI 2.0)  
Up to 21.6 Gbps (DisplayPort 1.2)

**Output Date Rate**

Up to 18 Gbps (HDMI 2.0)

**Optical Converter**

1 x 4 Array 850nm VCSEL, 1 x VCSEL, 1 x PD

**Input Signal / Connector**

1 x HDMI (Type-A Female Connector)  
1 x DisplayPort (20P Female Connector)

**Output Signal / Connector**

1 x MPO-Type (Optical Female Connector)

**USB Connector**

1 x Mini USB-B (Female Connector)

**Status LEDs**

2 x 3Ø DIP LED (Green and Yellow)  
2 x SMD Domed LED (Green)

**Tact Switch**

1 x Push Switch

**Slide Switch**

1 x Slide Switch

**Video Resolution**

Up to 4K@60Hz

**Dimensions (inches / mm)**

70 x 115 x 87mm (W x H x D)  
2.75" x 4.5" x 3.4" (W x H x D)

**Module Weight**

155g (0.34 lbs)

**Enclosure Color**

White Color

**Power Supply**

DC +5V to +12V

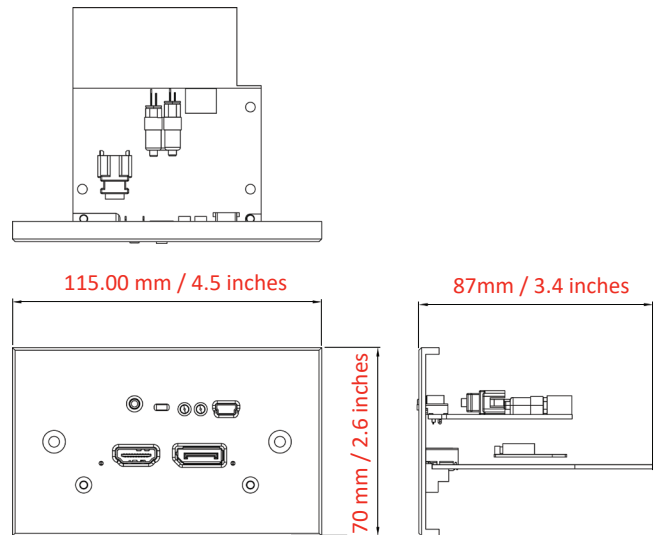
**Power Connector**

1 x 3.5mm (0.14")  
Pitch 3-Position Terminal (JIEKT / JK350R-03P)

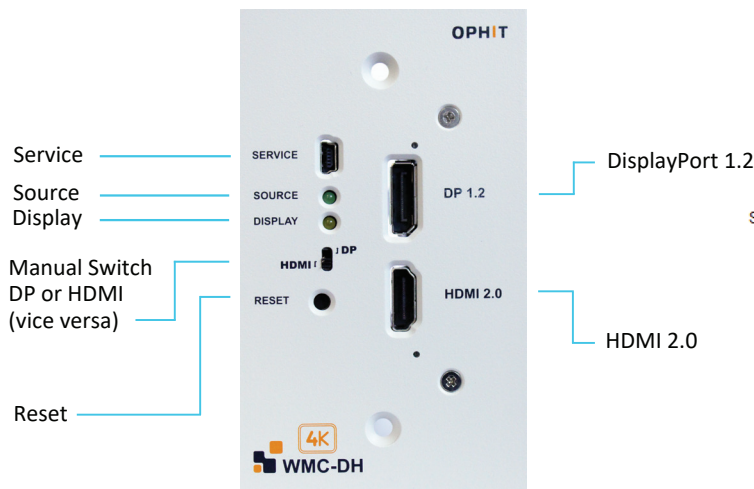
**EMI & Safety**

CE / FCC

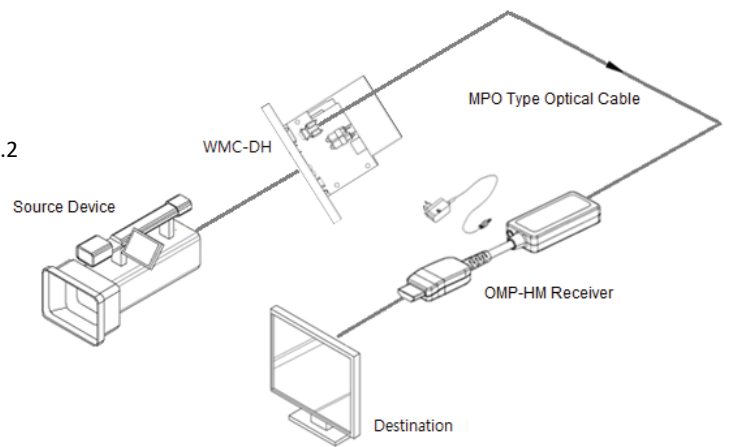
**Warranty: 1-Year Limited**



CONNECTION PORTS



TYPICAL CONNECTION DIAGRAM



**NOTE:** The installer must supply power to the WMC-DH wall plate

VIDEO SIGNAL TRANSFER DIAGRAM

Small green DP LED = Source switch set to DP.

